

NEO-Line 5554

Data sheet

Details

- Standard finish Kristall
- Grand view upon fire
- Rail handle in Anthracite
- Door with self-locking closure
- Caloceram® firebox inner lining
- Easy and time efficient installation
- Adjustable feet
- Several frame options



NEO-Line 5554

Technical data

	DE	EXPORT
• Nominal heat output	4,9 kW	4,9 kW
• Thermal output range*	–	–
• Efficiency	> 80 %	> 80 %
• Insulation thickness (with wall that does not need to be protected) (based on SILCA® 250KM)	60 mm	60 mm
• Flue gas connector	Ø 150 mm	Ø 153 mm**
• Combustion air connector	Ø 100 mm	Ø 100 mm
• Combustion air requirement	17,5 m³/h	17,5 m³/h
• Recommended quantity of wood, approx.	1,4 kg	1,4 kg
• Recommended length of logs	33 cm	33 cm
• Weight	77 kg	77 kg

Data for chimney sweep according to DIN EN 13384 (closed operation)

Triple values with nominal heat output

• Flue gas mass flow	5,5 g/s	5,5 g/s
• Flue gas temperature	207 °C	207 °C
• Required delivery pressure	12 Pa	12 Pa

Standard



Kristall front



Door hinge on left



100 mm
Combustion air connector

Optional



Frames 3-sided



Frames 4-sided

Accessories



Convection fan



Convection air connection

* The thermal output range is dependent on the volume and quality of wood loaded. Only use the nominal heat output triple values to calculate the chimney.

** DE: Attached on the outside (standard), EXPORT: Attached on the insert (some export)

There may be modifications to the colour and technical details caused by ongoing developments; subject to errors and omissions. Dated: 07/2018



Energy efficiency class in accordance with (EU) 2015/1186



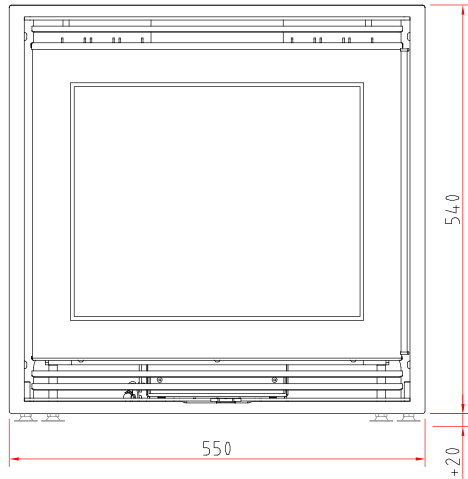
1. Federal Emissions Control Ordinance Stage 2



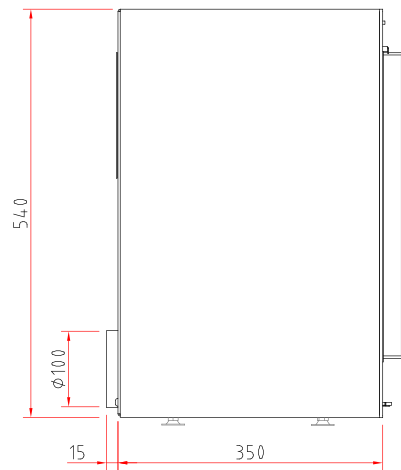
NEO-Line 5554

Dimensional drawings

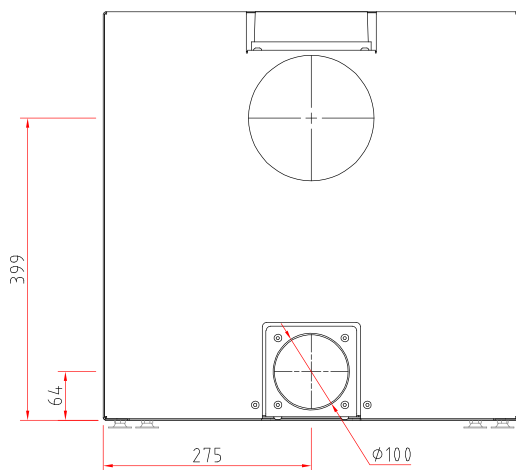
Front view, scale 1:10



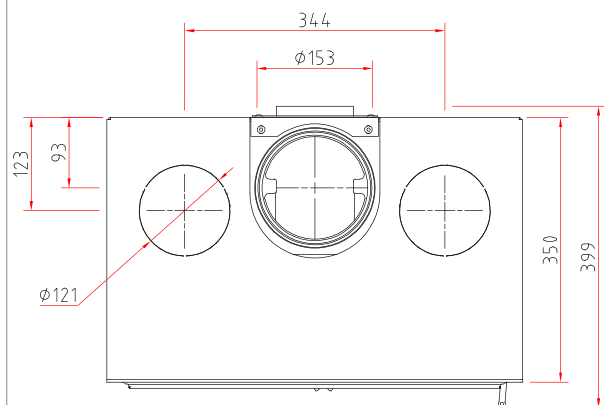
Side view, scale 1:10



Rear view, scale 1:10



Top view, scale 1:10



Product data sheet

Regulation (EU) 2015/1186 supplementing Directive 2010/30/EU

	NEO-Line 5554
Supplier's name:	Camina & Schmid Feuerdesign und Technik GmbH & Co. KG
Supplier's model identifier:	NEO-Line 5554
Energy efficiency class:	A
Direct heat output (kW)	4,9
Indirect heat output (kW):	–
Energy efficiency index (EEI):	106,9
Energy efficiency at nominal heat output (%):	80,6
Notes for specific precautions, installation or maintenance:	Please note the reference in the assembly instructions and operating manuals!

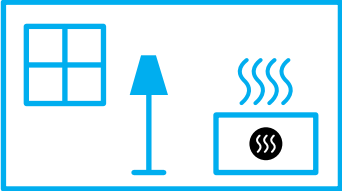
There may be modifications to technical details caused by ongoing developments; subject to errors and omissions. Dated: 11/2021



ENERG
енергия · ενέργεια



Camina  Schmid NEO-Line 5554



4,9
kW

ENERGIA · ЕНЕРГИЯ · ΕΝΕΡΓΕΙΑ · ENERGIJA · ENERGY · ENERGIE · ENERGI

2015/1186