

# Lina GT 7363 h Kristall+

## Data sheet

### Details

- Fireplace insert, open on one side, minimal body depth
- 7363 – Height 63 cm
- Standard fire box inner lining: white smooth chamotte
- High-quality steel flue gas collector
- Overall height can be simply and quickly adjusted
- Easy to dismantle for transport

### Technical data

- |   |              |
|---|--------------|
| • Nominal heat output   | 6 kW         |
| • Thermal output range  | 4.4 – 6.3 kW |
| • Efficiency  | >80%         |
| • Insulation thickness (with wall that does not need to be protected) (based on SILCA® 250KM) | 60 mm        |
| • Combustion air connector  | Ø 125 mm     |
| • Recommend length of logs  | 33 cm        |
| • Weight  | 230 kg       |
| • Heat distribution through the viewing window  | 25%          |
| • Heat distribution, convective output  | 75%          |

**Data for chimney sweep** according to DIN EN 13384 (closed operation)

### Triple values with nominal heat output

- |                              |         |
|------------------------------|---------|
| • Flue gas mass flow         | 6.2 g/s |
| • Flue gas temperature       | 214 °C  |
| • Required delivery pressure | 12 Pa   |

### Triple values for calculating ceramic flues (wood fuel)

- |   |                      |
|---|----------------------|
| • Firing power  | 15 kW                |
| • Flue gas mass flow                                      | 14.5 g/s             |
| • Flue gas temperature upstream of the connecting surface | 418 °C               |
| • Required delivery pressure at the flue gas connector    | 15 Pa                |
| • Combustion air requirement                              | 56 m <sup>3</sup> /h |
| • Recommended flue length <sup>1</sup>                    | –                    |

### Data for closed design

- |  |                    |
|--|--------------------|
| • Minimum heat-emitting surface <sup>2</sup> | 2.7 m <sup>2</sup> |
|--|--------------------|



Lina GT 7363 with guillotine front

### Standard



Kristall+ front



Guillotine door



150 mm  
Combustion air connector

### Optional



Frame

### Accessories



SMR

<sup>1</sup>The information regarding flue lengths is a recommendation and based on the calculation in accordance with TROL 2022 chapter 15. The calculation is based on a medium-heavy design and a flue ratio of 360 cm<sup>2</sup>.

<sup>2</sup>Average value based on the storage time. Dependent on the material properties and the construction thickness. Mean specific heat distribution = approx. 500 W/m<sup>2</sup>

There may be modifications to the colour and technical details caused by ongoing developments; subject to errors and omissions. Dated: 01/2024



Energy efficiency class in accordance with (EU) 2015/1186



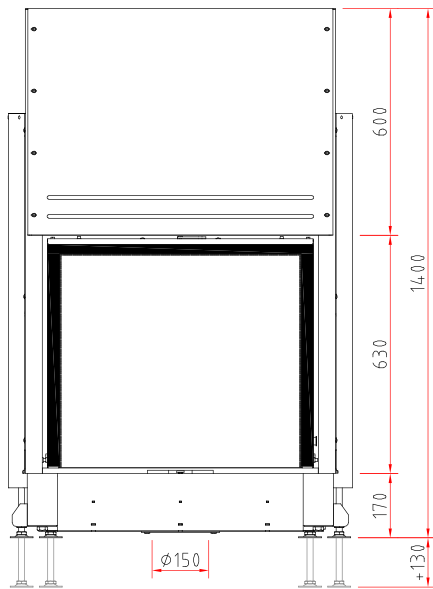
1. Federal Emissions Control Ordinance Stage 2



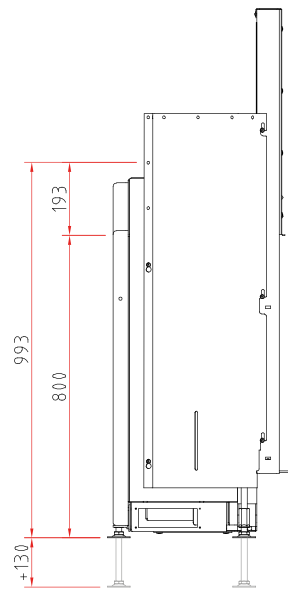
# Lina GT 7363 h Kristall+

Dimensional drawing

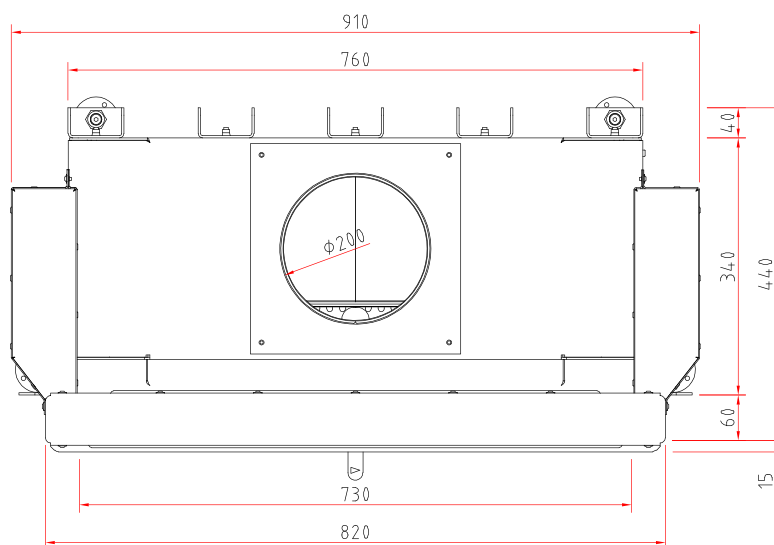
Front view, scale 1:20



Side view, scale 1:20



Top view, scale 1:10



## Product data sheet

Regulation (EU) 2015/1186 supplementing Directive 2010/30/EU

	<b>Lina GT 7363 h</b>
<b>Supplier's name:</b>	Camina & Schmid Feuerdesign und Technik GmbH & Co. KG
<b>Supplier's model identifier:</b>	Lina GT 7363 h
<b>Energy efficiency class:</b>	A+
<b>Direct heat output (kW)</b>	6,0
<b>Indirect heat output (kW):</b>	–
<b>Energy efficiency index (EEI):</b>	112,7
<b>Energy efficiency at nominal heat output (%):</b>	83,9
<b>Notes for specific precautions, installation or maintenance:</b>	Please note the reference in the assembly instructions and operating manuals!

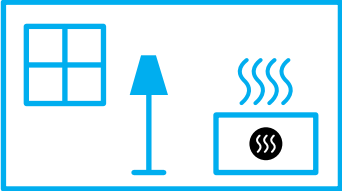
*There may be modifications to technical details caused by ongoing developments; subject to errors and omissions. Dated: 11/2021*



**ENERG**  
енергия · ενέργεια



Camina  Schmid Lina GT 7363 h



6,0  
kW

ENERGIA · ЕНЕРГИЯ · ΕΝΕΡΓΕΙΑ · ENERGIJA · ENERGY · ENERGIE · ENERGI

2015/1186