

# Ekko U 60(90) h

## Data sheet

### Details

- Fireplace insert, open on three sides
- 60(90)51 – Height 51 cm
- Optional: Self-closing door
- Standard fire box inner lining: white smooth chamotte
- The lower panel for the secondary air is adjustable for an excellent glass wash
- High-quality steel dome

### Technical data

• Nominal heat output	14,0 kW
• Thermal output range	–
• Efficiency	>80 %
• Insulation thickness (with wall that does not need to be protected) (based on SILCA® 250KM)	60 mm
• Combustion air connector	Ø 150 mm
• Recommend length of logs	33 cm
• Weight	370 kg
• Heat distribution through the viewing window	40 %
• Heat distribution, convective output	60 %

### Data for chimney sweep according to DIN EN 13384 (closed operation)

#### Triple values with nominal heat output

• Flue gas mass flow	11,9 g/s
• Flue gas temperature	310 °C
• Required delivery pressure	12 Pa

#### Triple values for calculating ceramic flues (wood fuel)

• Firing power	–
• Flue gas mass flow	–
• Flue gas temperature upstream of the connecting surface	–
• Required delivery pressure at the flue gas connector	–
• Combustion air requirement	–
• Recommended flue length <sup>1</sup>	–

#### Data for closed design

• Minimum heat-emitting surface <sup>2</sup>	4,1 m <sup>2</sup>
--	--------------------

<sup>1</sup>The information regarding flue lengths is a recommendation and based on the calculation in accordance with TROL 2022 chapter 15. The calculation is based on a medium-heavy design and a flue ratio of 360 cm<sup>2</sup>.

<sup>2</sup>Average value based on the storage time. Dependent on the material properties and the construction thickness. Mean specific heat distribution = approx. 500 W/m<sup>2</sup>

There may be modifications to the colour and technical details caused by ongoing developments; subject to errors and omissions. Dated: 01/2024



Ekko U 60(90) with guillotine front

### Standard



Kristall front



Guillotine door



150 mm  
Combustion air connector

### Optional



Frame



Supporting frame system



150 mm  
Combustion air connector



Energy efficiency class in accordance with (EU) 2015/1186



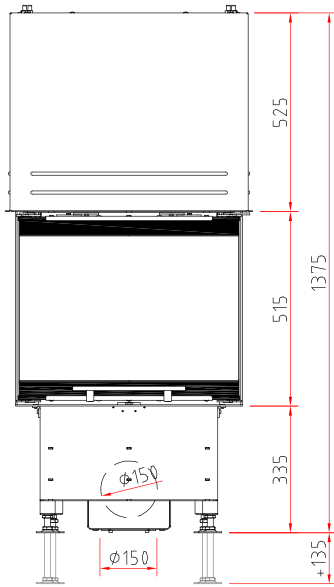
1. Federal Emissions Control Ordinance Stage 2



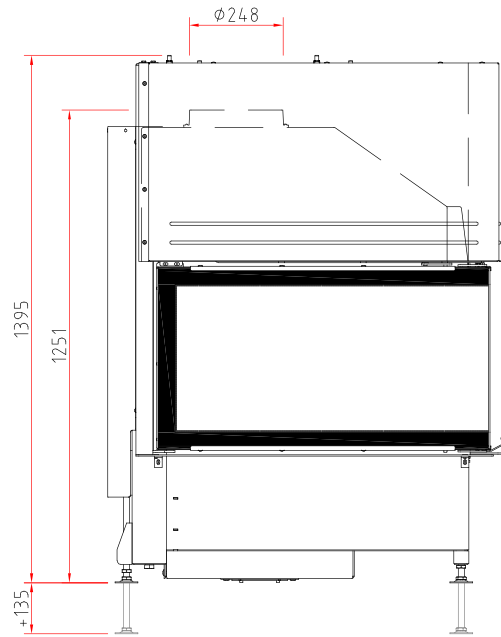
# Ekko U 60(90) h

## Dimensional drawing

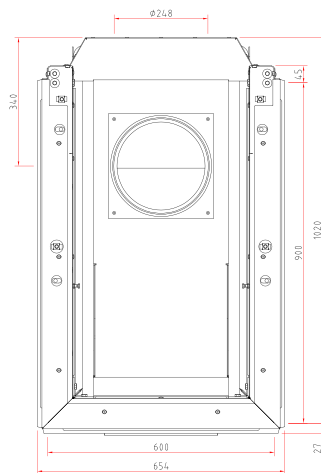
Front view, scale 1:20



Side view, scale 1:20



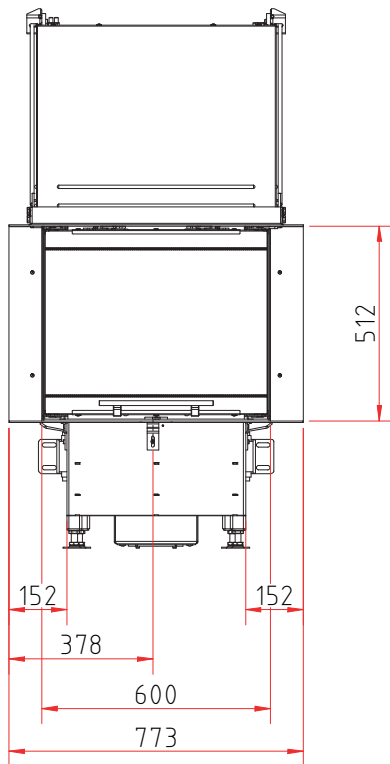
Top view, scale 1:10



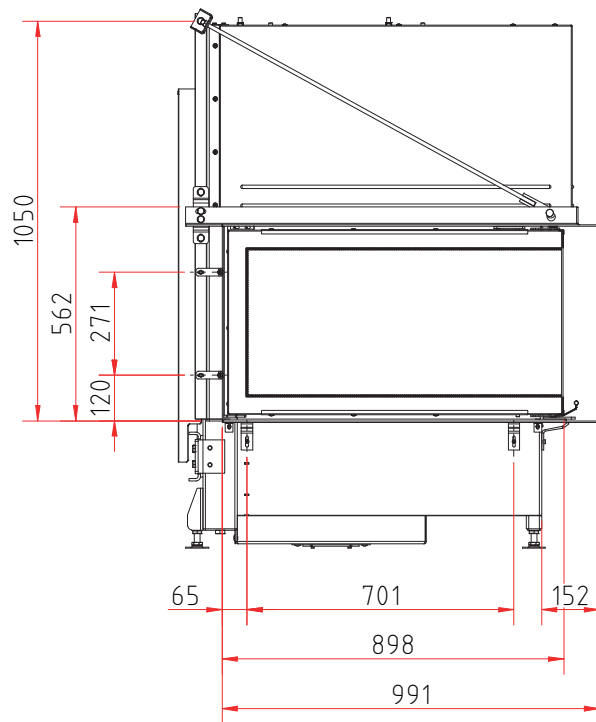
# Ekko U 60(90)51 h

Dimensional drawing with frame system

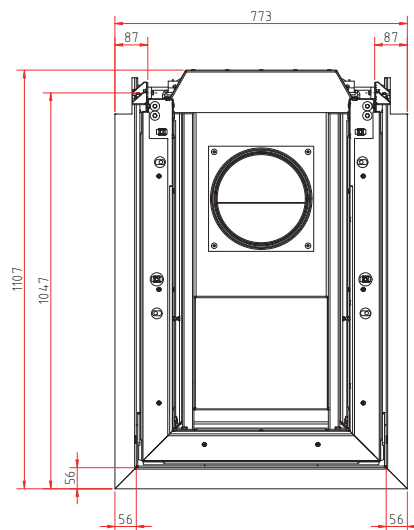
Front view, scale 1:20



Side view, scale 1:20



Top view, scale 1:20



## Product data sheet

Regulation (EU) 2015/1186 supplementing Directive 2010/30/EU

	<b>Ekko U 60(90) h</b>
<b>Supplier's name:</b>	Camina & Schmid Feuerdesign und Technik GmbH & Co. KG
<b>Supplier's model identifier:</b>	Ekko U 60(90) h
<b>Energy efficiency class:</b>	A
<b>Direct heat output (kW)</b>	14,0
<b>Indirect heat output (kW):</b>	–
<b>Energy efficiency index (EEI):</b>	106,1
<b>Energy efficiency at nominal heat output (%):</b>	80,1
<b>Notes for specific precautions, installation or maintenance:</b>	Please note the reference in the assembly instructions and operating manuals!

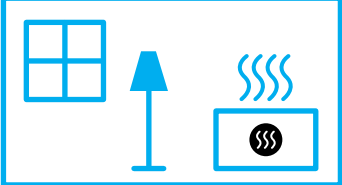
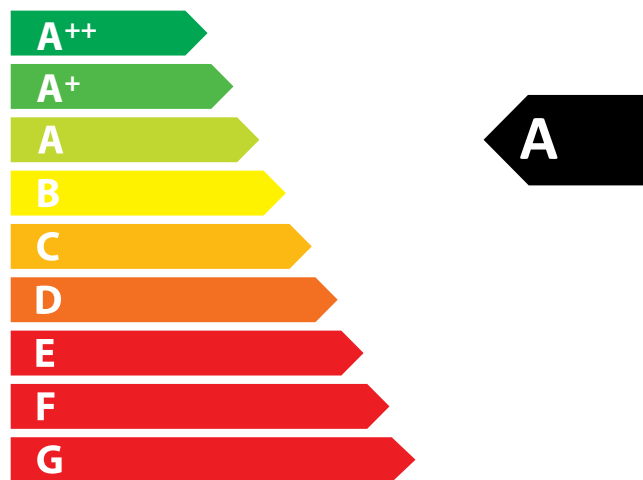
*There may be modifications to technical details caused by ongoing developments; subject to errors and omissions. Dated: 11/2021*



**ENERG**  
енергия · ενέργεια



Camina  Schmid Ekko U 60(90) h



**14,0**  
kW

ENERGIA · ЕНЕРГИЯ · ΕΝΕΡΓΕΙΑ · ENERGIJA · ENERGY · ENERGIE · ENERGI

2015/1186