

Ekko U 45(34) h

Data sheet

Details

- Fireplace insert, open on three sides
- Ultra-low body depth
- 45(34)45 – Height 45 cm
45(34)51 – Height 51 cm
45(34)57 – Height 57 cm
- Optional: Self-closing door
- Standard fire box inner lining: white smooth chamotte
- High-grade cast-iron dome, all parts can be moved, adjustable between 0 – 90°



Ekko U 45(34)51 with guillotine front

Technical data

• Nominal heat output	4 kW
• Thermal output range	–
• Efficiency	>80 %
• Insulation thickness (with wall that does not need to be protected) (based on SILCA® 250KM)	60 mm
• Combustion air connector	Ø 125 mm
• Recommend length of logs	25 cm (33 cm standing)
• Weight	150 – 170 kg
• Heat distribution through the viewing window	70 %
• Heat distribution, convective output	30 %

Data for chimney sweep according to DIN EN 13384 (closed operation)

Triple values with nominal heat output

• Flue gas mass flow	4,7 g/s
• Flue gas temperature	255 °C
• Required delivery pressure	11 Pa

Triple values for calculating ceramic flues (wood fuel)

• Firing power	–
• Flue gas mass flow	–
• Flue gas temperature upstream of the connecting surface	–
• Required delivery pressure at the flue gas connector	–
• Combustion air requirement	–
• Recommended flue length ¹	1,7 m

Data for closed design

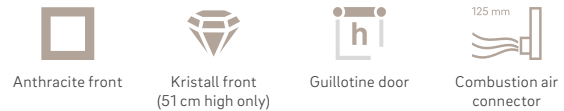
• Minimum heat-emitting surface ²	1,8 m ²
--	--------------------

¹The information regarding flue lengths is a recommendation and based on the calculation in accordance with TROL 2022 chapter 15. The calculation is based on a medium-heavy design and a flue ratio of 360 cm².

²Average value based on the storage time. Dependent on the material properties and the construction thickness. Mean specific heat distribution = approx. 500 W/m²

There may be modifications to the colour and technical details caused by ongoing developments; subject to errors and omissions. Dated: 01/2024

Standard



Optional



Accessories



A
Energy efficiency class in accordance with (EU) 2015/1186

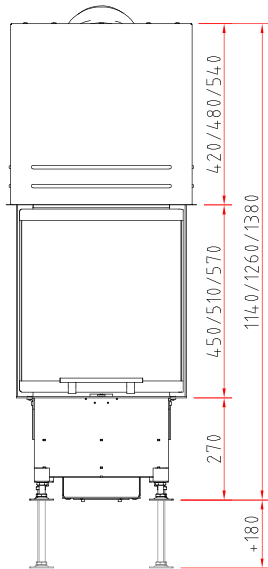

1. Federal Emissions Control Ordinance Stage 2



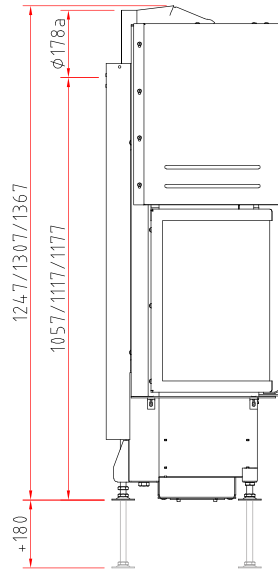
Ekko U 45(34) h

Dimensional drawing

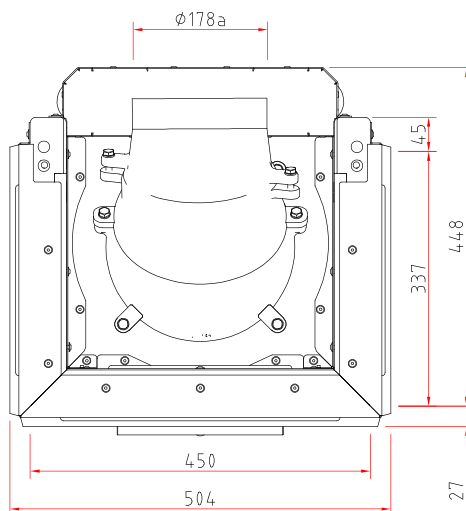
Front view, scale 1:20



Side view, scale 1:20



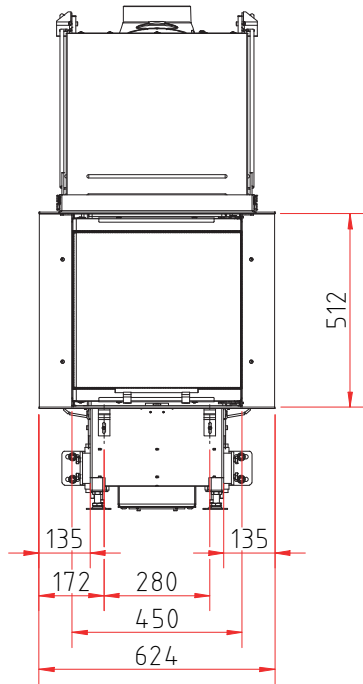
Top view, scale 1:10



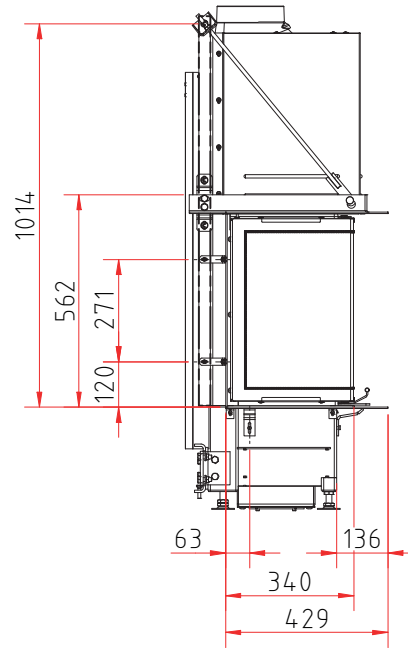
Ekko U 45(34)51 h

Dimensional drawing with frame system

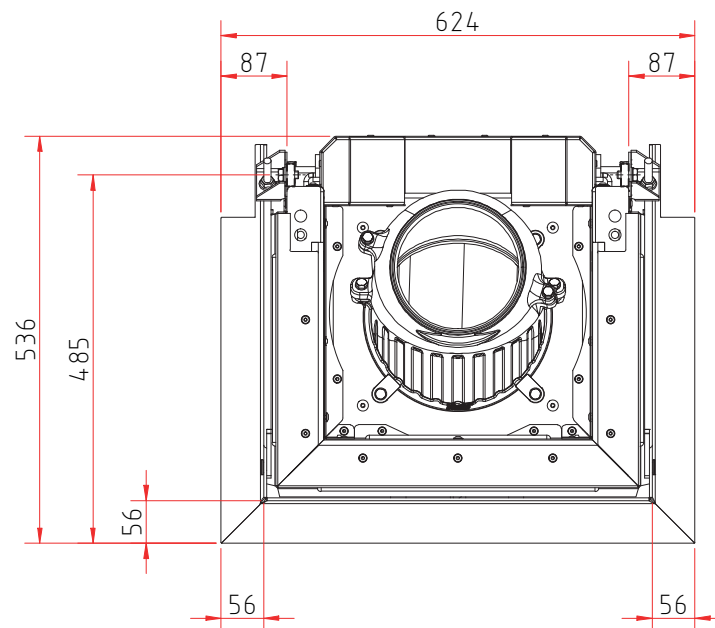
Front view, scale 1:20



Side view, scale 1:20



Top view, scale 1:10



Product data sheet

Regulation (EU) 2015/1186 supplementing Directive 2010/30/EU

	Ekko U 45(34) h
Supplier's name:	Camina & Schmid Feuerdesign und Technik GmbH & Co. KG
Supplier's model identifier:	Ekko U 45(34) h
Energy efficiency class:	A+
Direct heat output (kW)	4,0
Indirect heat output (kW):	-
Energy efficiency index (EEI):	107,5
Energy efficiency at nominal heat output (%):	81,0
Notes for specific precautions, installation or maintenance:	Please note the reference in the assembly instructions and operating manuals!

There may be modifications to technical details caused by ongoing developments; subject to errors and omissions. Dated: 11/2021



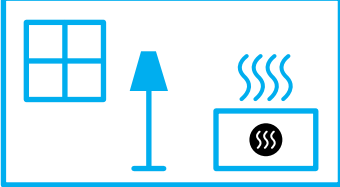
ENERG
енергия · ενέργεια



Camina  Schmid Ekko U 45(34) h



A⁺



4,0
kW

ENERGIA · ЕНЕРГИЯ · ΕΝΕΡΓΕΙΑ · ENERGIJA · ENERGY · ENERGIE · ENERGI

2015/1186