

Ekko U 100(45) h

Data sheet

Details

- Fireplace insert, open on three sides
- 100(45)51 – Height 45 cm
100(45)57 – Height 57 cm
- Optional: Self-closing door
- Adjustable lower air washing
- Standard fire box inner lining: white smooth chamotte
- High-quality steel dome



Ekko U 100(45) with guillotine front

Technical data

	DE	Export
• Nominal heat output	15 kW	20 kW
• Thermal output range	8,0 – 16,7 kW	8,0 – 20,6 kW
• Efficiency	>80 %	>80 %
• Insulation thickness (with wall that does not need to be protected) (based on SILCA® 250KM)	60 mm	60 mm
• Combustion air connector	2x Ø 125 mm	2x Ø 125 mm
• Recommend length of logs	33 cm	33 cm
• Weight	370 kg	370 kg
• Heat distribution through the viewing window	60 %	60 %
• Heat distribution, convective output	40 %	40 %

Data for chimney sweep according to DIN EN 13384 (closed operation)

Triple values with nominal heat output

• Flue gas mass flow	17,2 g/s	18,3 g/s
• Flue gas temperature	221 °C	232 °C
• Required delivery pressure	12 – 15 Pa	12 – 15 Pa

Triple values for calculating ceramic flues (wood fuel)

• Recommended flue length ¹	–	–
--	---	---

Data for closed design

• Minimum heat-emitting surface ²	5,6 m ²	5,6 m ²
--	--------------------	--------------------

Standard



Kristall front



Guillotine door



2x125 mm
Combustion air connector

Optional



Frame



Support frame system



150 mm
Combustion air connector

¹The information regarding flue lengths is a recommendation and based on the calculation in accordance with TROL 2022 chapter 15. The calculation is based on a medium-heavy design and a flue ratio of 360 cm².

²Average value based on the storage time. Dependent on the material properties and the construction thickness. Mean specific heat distribution = approx. 500 W/m²

There may be modifications to the colour and technical details caused by ongoing developments; subject to errors and omissions. Dated: 01/2024



Energy efficiency class in accordance with (EU) 2015/1186 (15 kW)



Energy efficiency class in accordance with (EU) 2015/1186 (20 kW)



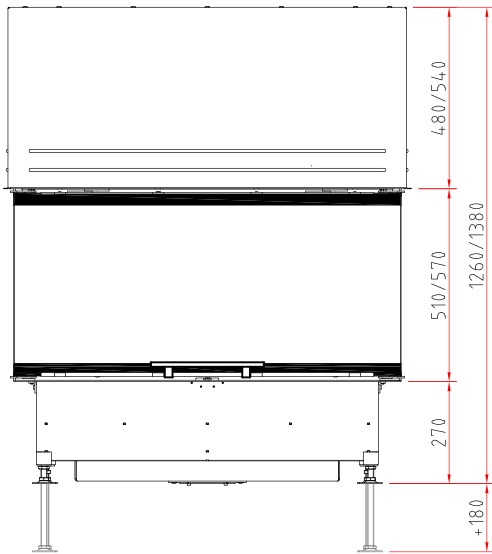
1. Federal Emissions Control Ordinance Stage 2



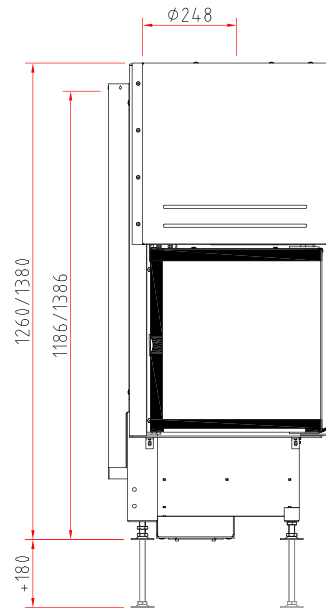
Ekko U 100(45) h

Dimensional drawing

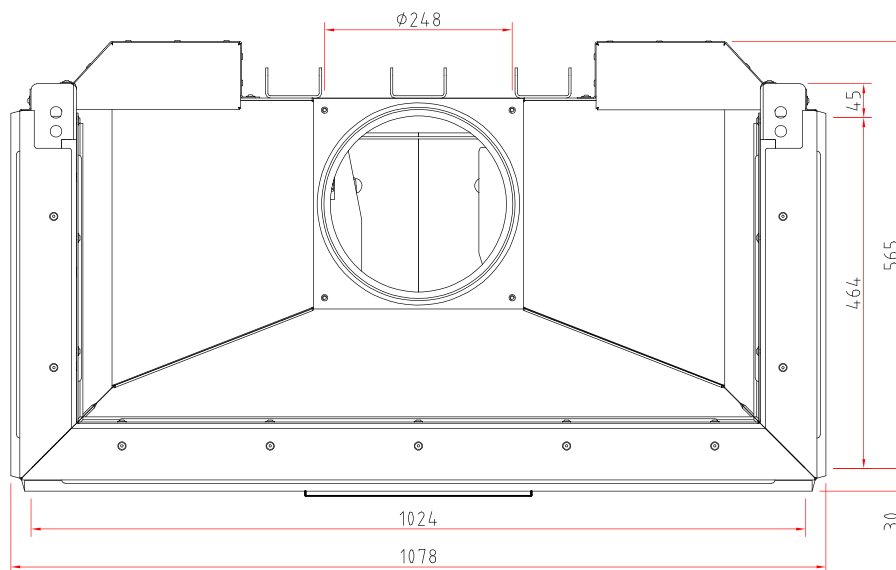
Front view, scale 1:20



Side view, scale 1:20



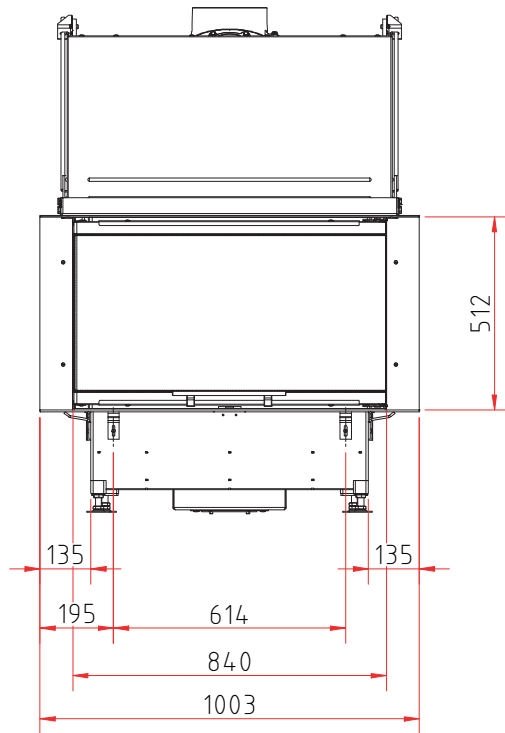
Top view, scale 1:10



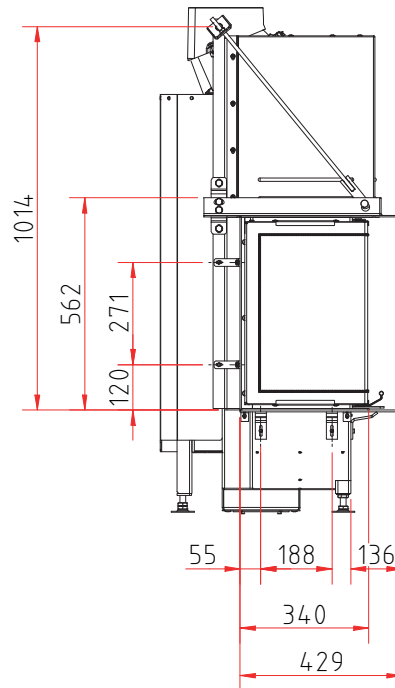
Ekko U 100(45)51 h

Dimensional drawing with frame system

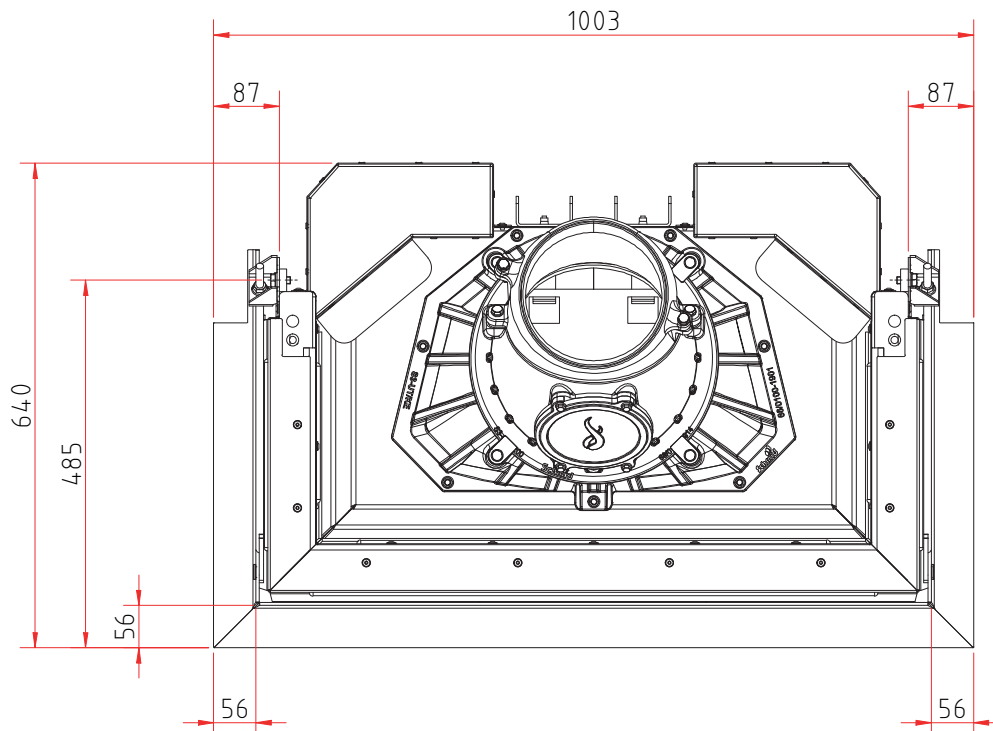
Front view, scale 1:20



Side view, scale 1:20



Top view, scale 1:10



Product data sheet

Regulation (EU) 2015/1186 supplementing Directive 2010/30/EU

	Ekko U 100(45) h
Supplier's name:	Camina & Schmid Feuerdesign und Technik GmbH & Co. KG
Supplier's model identifier:	Ekko U 100(45) h
Energy efficiency class:	A
Direct heat output (kW)	15,0
Indirect heat output (kW):	–
Energy efficiency index (EEI):	106,0
Energy efficiency at nominal heat output (%):	80,0
Notes for specific precautions, installation or maintenance:	Please note the reference in the assembly instructions and operating manuals!

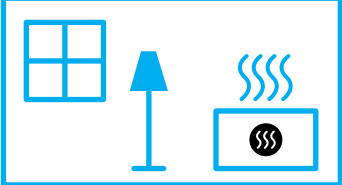
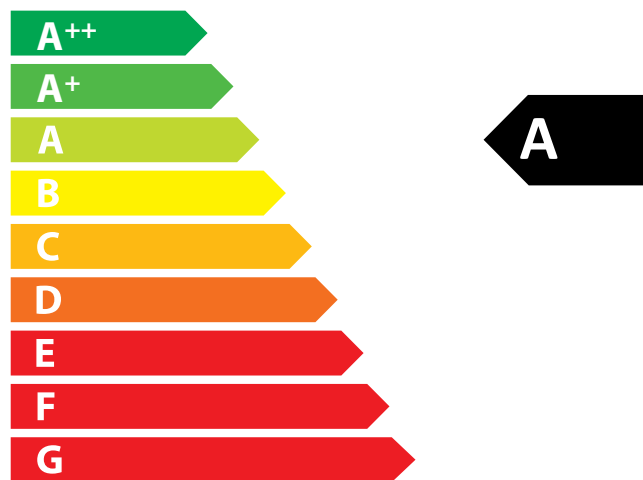
There may be modifications to technical details caused by ongoing developments; subject to errors and omissions. Dated: 11/2021



ENERG
енергия · ενέργεια



Camina  Schmid Ekko U 100(45) h



15,0
kW

ENERGIA · ЕНЕРГИЯ · ΕΝΕΡΓΕΙΑ · ENERGIJA · ENERGY · ENERGIE · ENERGI

2015/1186

Product data sheet

Regulation (EU) 2015/1186 supplementing Directive 2010/30/EU

	Ekko U 100(45) h
Supplier's name:	Camina & Schmid Feuerdesign und Technik GmbH & Co. KG
Supplier's model identifier:	Ekko U 100(45) h
Energy efficiency class:	A+
Direct heat output (kW)	20,0
Indirect heat output (kW):	–
Energy efficiency index (EEI):	107,5
Energy efficiency at nominal heat output (%):	81,0
Notes for specific precautions, installation or maintenance:	Please note the reference in the assembly instructions and operating manuals!

There may be modifications to technical details caused by ongoing developments; subject to errors and omissions. Dated: 11/2021



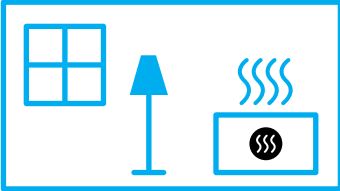
ENERG
енергия · ενέργεια



Camina  Schmid Ekko U 100(45) h



A⁺



20,0
kW

ENERGIA · ЕНЕРГИЯ · ΕΝΕΡΓΕΙΑ · ENERGIJA · ENERGY · ENERGIE · ENERGI

2015/1186